



4Kx2K

QU-16E-4K

1 to 16 HDMI Distribution Amplifier (4K Resolution Support)

OPERATION MANUAL

DISCLAIMERS

The information in this manual has been carefully checked and is believed to be accurate. CYP (UK) Ltd assumes no responsibility for any infringements of patents or other rights of third parties which may result from its use.

CYP (UK) Ltd assumes no responsibility for any inaccuracies that may be contained in this document. CYP (UK) Ltd also makes no commitment to update or to keep current the information contained in this document.

CYP (UK) Ltd reserves the right to make improvements to this document and/or product at any time and without notice.

COPYRIGHT NOTICE

No part of this document may be reproduced, transmitted, transcribed, stored in a retrieval system, or any of its part translated into any language or computer file, in any form or by any means—electronic, mechanical, magnetic, optical, chemical, manual, or otherwise—without express written permission and consent from CYP (UK) Ltd.

© Copyright 2011 by CYP (UK) Ltd.

All Rights Reserved.

Version 1.1 August 2011

TRADEMARK ACKNOWLEDGMENTS

All products or service names mentioned in this document may be trademarks of the companies with which they are associated.

SAFETY PRECAUTIONS

Please read all instructions before attempting to unpack, install or operate this equipment and before connecting the power supply.

Please keep the following in mind as you unpack and install this equipment:

- Always follow basic safety precautions to reduce the risk of fire, electrical shock and injury to persons.
- To prevent fire or shock hazard, do not expose the unit to rain, moisture or install this product near water.
- Never spill liquid of any kind on or into this product.
- Never push an object of any kind into this product through any openings or empty slots in the unit, as you may damage parts inside the unit.
- Do not attach the power supply cabling to building surfaces.
- Use only the supplied power supply unit (PSU). Do not use the PSU if it is damaged.
- Do not allow anything to rest on the power cabling or allow any weight to be placed upon it or any person walk on it.
- To protect the unit from overheating, do not block any vents or openings in the unit housing that provide ventilation and allow for sufficient space for air to circulate around the unit.

REVISION HISTORY

VERSION NO.	DATE	SUMMARY OF CHANGE
v1.00	23/06/14	First release

CONTENTS

1. Introduction	6
2. Applications	6
3. Package Contents	6
4. System Requirements	6
5. Features.....	7
6. Operation Controls and Functions	8
6.1 Front Panel	8
6.2 Rear Panel.....	8
7. Connection Diagram	9
8. Specifications.....	10
9. Acronyms.....	10

1. INTRODUCTION

The QU-16E-4K is a versatile 1 to 16 HDMI distribution amplifier. This product is designed to be used in a 19" rack and will distribute uncompressed HDMI signals up to 4K resolutions. Each buffered output can run 1080p/8-bit up to 10 metres and can be cascaded up to two layers.

2. APPLICATIONS

- /// Simultaneously display one HDMI source on 16 displays
- /// Showroom display
- /// University lecture hall display
- /// Retail sales display

3. PACKAGE CONTENTS

- /// 1× 1 by 16 HDMI Distribution Amplifier
- /// 1× 5V/6 A DC Power Supply Adaptor
- /// Operation Manual

4. SYSTEM REQUIREMENTS

- /// HDMI equipped source device such as a DVD/Blu-ray player with HDMI or DVI to HDMI cable
- /// HDMI equipped displays (HDTVs or projectors) or AV Receivers with HDMI cables

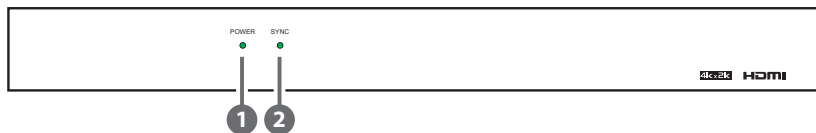
5. FEATURES

- /// HDMI, HDCP 1.1 and DVI 1.0 compliant
- /// Resolution Supported: PC - VGA to UXGA; HDTV - 480i to 1080p + 1080p24fps, and 4K
- /// High Definition Audio supported: LPCM 7.1Ch, Dolby TrueHD, Dolby Digital Plus and DTS-HD Master Audio transmission (32-192kHz Fs sample rate)
- /// HDMI cable distance tested with 1080p/8bits resolution the I/O source can up run up to 15/15 meters. If 1080p/12bits the I/O source can run up to 15/10 meters.
- /// Supports xvYCC
- /// Supports CEC bypass
- /// Supports 3D signals
- /// 4K Resolution Support

Note: When displaying a 3D signal with a higher bandwidth than 225 MHz or a 4Kx2K resolution source, a High Speed HDMI cable is required.

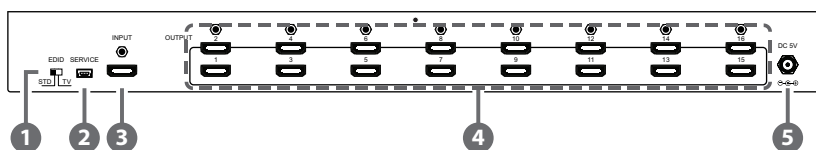
6. OPERATION CONTROLS AND FUNCTIONS

6.1 Front Panel



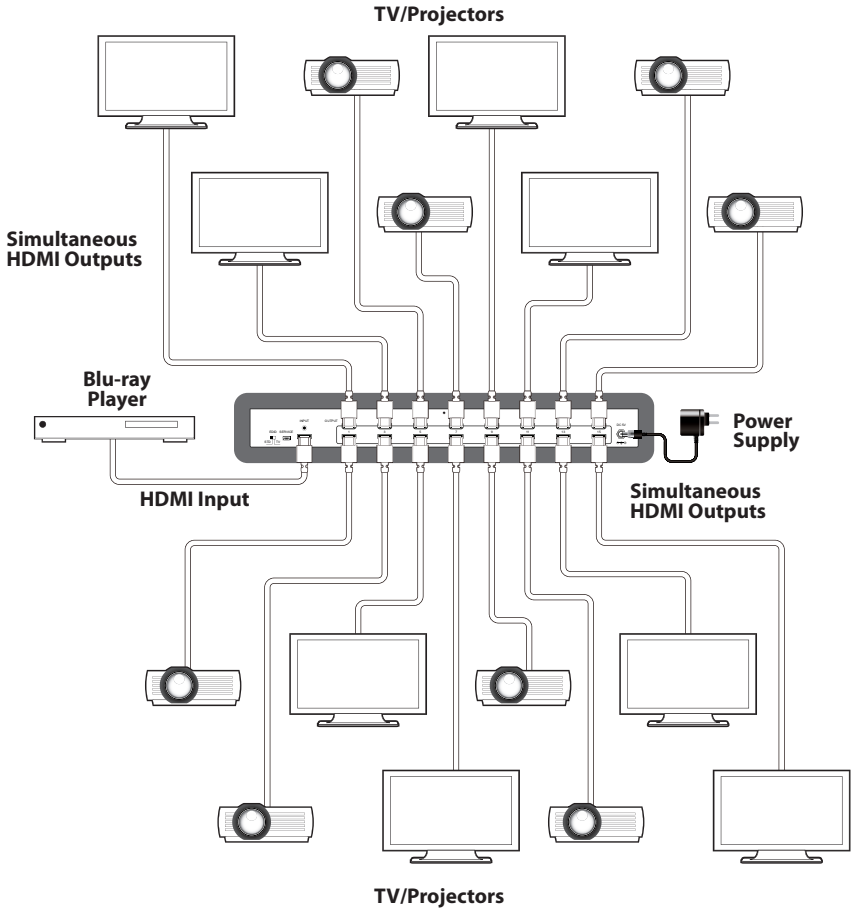
- 1 **POWER LED:** The power LED will illuminate when the unit is powered.
- 2 **SYNC LED:** The LED will illuminate when the HDMI source signal is connected to the input port.

6.2 Rear Panel



- 1 **EDID STD/TV:** The default factory setting is TV, when in this mode, the unit will detect the first HDMI output device's EDID settings and record them in the unit's memory. If there are any audio or video issues then switch the unit to STD (Standard) mode and power cycle it, the unit will be configured as standard stereo (PCM) Audio and initiate a search for a common compatible video resolution.
- 2 **SERVICE:** Manufacturer use only.
- 3 **HDMI INPUT:** Connect the input port to the HDMI or DVI output of your source equipment such as DVD player or set-top box.
- 4 **HDMI OUTPUTS (1~16):** Connect each of the output ports to an HDMI display for simultaneous HDMI distribution.
- 5 **DC 5V:** Connect the 5V DC power supply into the splitter and Plug the adaptor to AC wall outlet.

7. CONNECTION DIAGRAM



8. SPECIFICATIONS

Video Bandwidth	300 MHz/9 Gbps
Input Port	1×HDMI (Female connector), 1×USB (Manufacturer use only)
Output Ports	16×HDMI (Female connector)
Output Resolutions	480i~1080p@50/60, 1080p@24/50/60, VGA~UXGA, Ultra HD (4K×2K@30)
ESD Protection	Human body model: ±8 kV (air-gap discharge) ±4 kV (contact discharge)
Dimensions	436 mm (W)×26 mm (D)×48 mm (H)
Weight	1664 g
Chassis Material	Metal
Colour	Black
Operating Temperature	0 °C~40 °C/32 °F~104 °F
Storage Temperature	-20 °C~60 °C/-4 °F~140 °F
Relative Humidity	20~90% RH (non-condensing)
Power Consumption	15.8 W

9. ACRONYMS

ACRONYM	COMPLETE TERM
4K×2K	Ultra HD Resolution (3840×2160)
HDMI	High-Definition Multimedia Interface
HDTV	High-Definition Television



CYP (UK) Ltd., Unit 7, Shepperton Business Park, Govett Avenue, Shepperton,
Middlesex, TW17 8BA

Tel: +44 (0) 20 3137 9180 | Fax: +44 (0) 20 3137 6279

Email: sales@cypeurope.com

www.cypeurope.com

v1.00